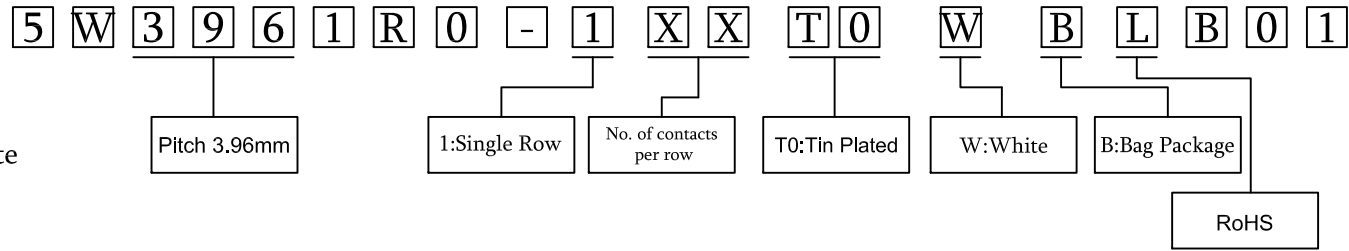


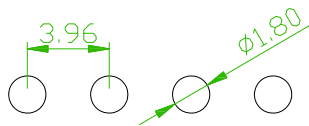
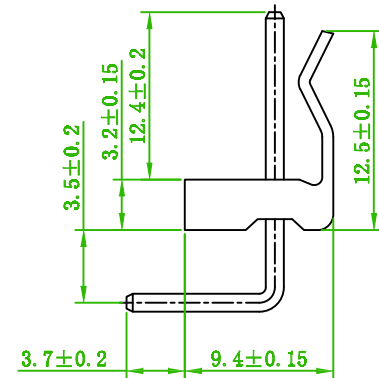
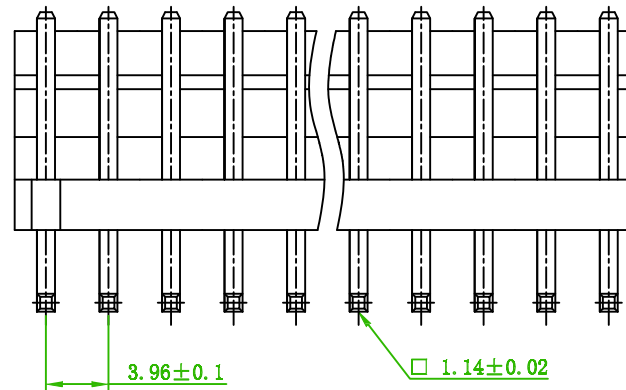
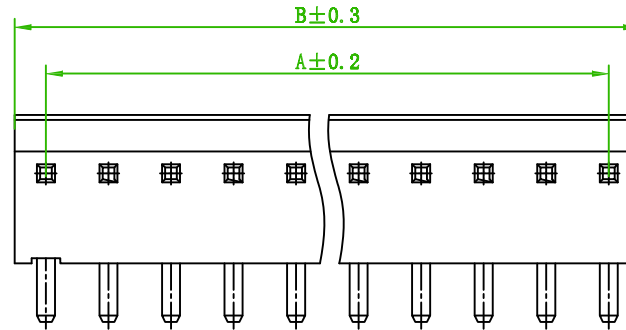
SPECIFICATIONS

Current Rating: 5A AC,DC
 Voltage Rating: 250V AC,DC
 Temperature Range: -25°C to +85°C
 Contact Resistance: 10mΩ Max
 Insulation Resistance: 1000MΩ Min
 Withstanding Voltage: 1500V AC/minute
 Material: Nylon 66,UL94V-2

ORDER INFORMATION



No. of contacts	Dimensions	
	A	B
02	3.96	7.92
03	7.92	11.88
04	11.88	15.84
05	15.84	19.80
06	19.80	23.76
07	23.76	27.72
08	27.72	31.68
09	31.68	35.64
10	35.64	39.60
11	39.60	43.56
12	43.56	47.52
13	47.52	51.48
14	51.48	55.44
15	55.44	59.40
16	59.40	63.36
17	63.36	67.32
18	67.32	71.28
19	71.28	75.24
20	75.24	79.20



Recommended PCB Layout
 (PCB TOLERANCE ±0.05)

Old P/N:3961RA-XXTW-L

REV.	ECN NO. OR DESCRIPTION	REVISED	DATE

<p>Amtek Technology Co., Ltd. TEL: 886-2-2260-6878 FAX: 886-2-2260-8030</p>	品名 TITLE	3.96mm WAFER RIGHT ANGLE			頁數 Page	1/1
	品號 PART NO.	5W3961R0-1XXT0WBLB01			繪圖 DRAWN	Sam 2009/10/15
	圖號 DRAWING NO.	GW067-JF086	版本 REV.	A	核對 CHECKED	Nikki 2009/10/15
	客戶品號 CUSTOMER P/N		比例 SCALE	None	承認 APPROVED	James 2009/10/15
	公差 TOLERANCE	.X ±0.20 .XX ±0.15	單位 UNIT	mm	THIRD ANGLE PROJECTION	